

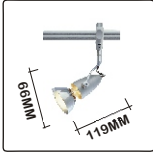
240V FLEXIBLE TRACK - SPOTS

240V PAR16 SPOTS

K501 "SATELIT" Spot

Colours
Fitting / Shade
Silver

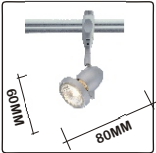
50W
GZ10



K502 "NEON" Spot

Colours
Fitting / Shade
Silver

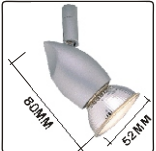
50W
GZ10



K598 "NEAT" Spot

Colours
Fitting / Shade
Silver

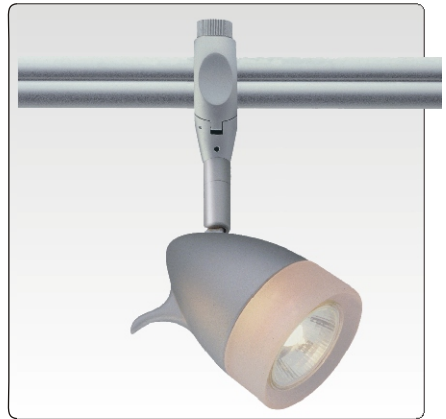
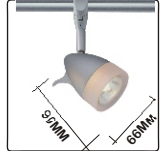
50W
GZ10



K529 "KANO" Spot

Colours
Fitting / Shade
Silver Frosted

50W
GZ10

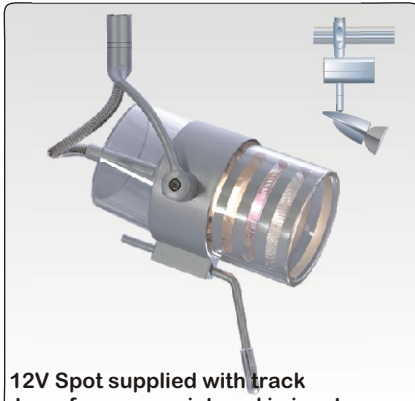
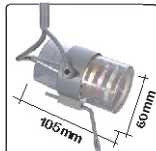


240V PAR16 AND 12V DICHROIC SPOTS WITH TRANSFORMER

K515 "LIMA" Spot

Colours
Fitting / Shade
Silver Clear

50W MR16 50W GZ10

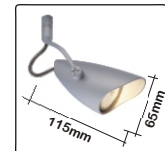


12V Spot supplied with track transformer as pictured in inset

K599 "ARGON" Spot

Colours
Fitting / Shade
Silver

50W MR16 50W GZ10



12V Spot supplied with track transformer as pictured in inset

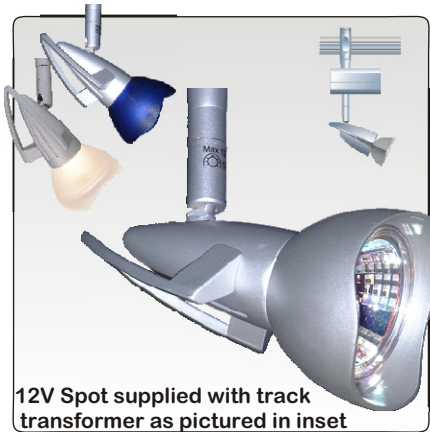
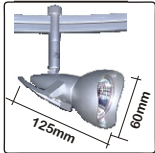
12V DICHRIC SPOTS WITH TRACK TRANSFORMER

K540 "STAR" Spot

Colours
Fitting / Shade

Silver	Silver
	Frosted
	Blue

50W
MR16



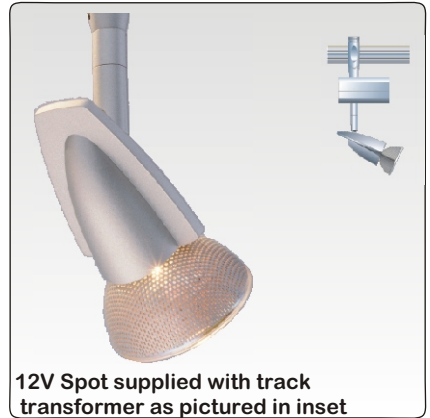
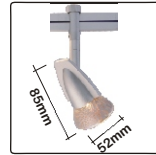
12V Spot supplied with track transformer as pictured in inset

K581 "ROCKET" Spot

Colours
Fitting / Shade

Silver	Silver
--------	--------

50W
MR16



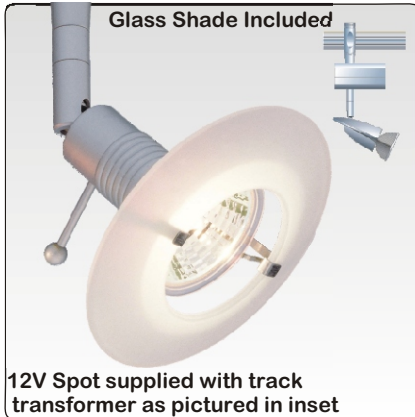
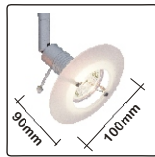
12V Spot supplied with track transformer as pictured in inset

K531 "SYROS" Spot

Colours
Fitting / Shade

Silver	Frosted
--------	---------

50W
MR16



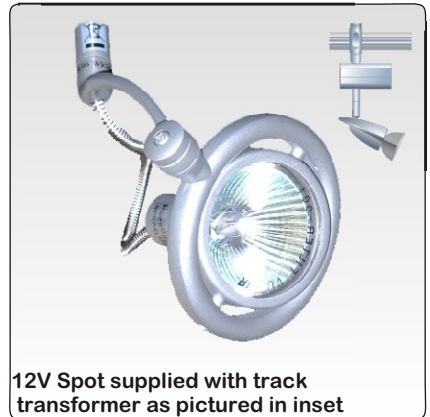
12V Spot supplied with track transformer as pictured in inset

K550 "LIKA" Spot

Colours
Fitting / Shade

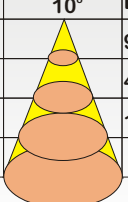
Silver

50W
MR16

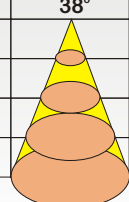


12V Spot supplied with track transformer as pictured in inset

Photometrics for Osram 46870SP 50W dichroic lamp

H(M)	∅	10°	E(lux)
0.3	12		97800
0.5	20		41800
1.0	40		11000
2.0	80		2800

Photometrics for Osram 46870WFL 50W dichroic lamp

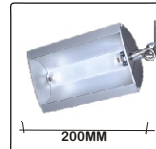
H(M)	∅	38°	E(lux)
0.3	29		17400
0.5	48		7440
1.0	97		2000
2.0	194		490

K503 "NEPRO QI" Flood

Colours
Fitting / Shade

Silver

300W
QI R7s



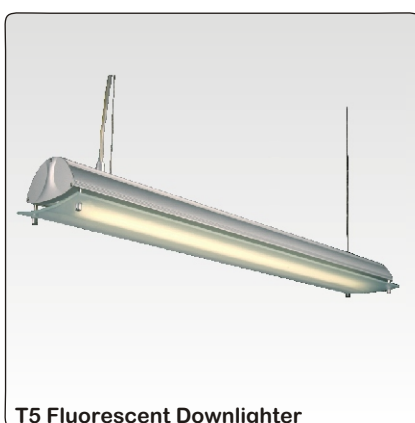
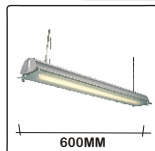
Quartz Halogen Floodlight

K543 "NEPRO T5" Fluorescent

Colours
Fitting / Shade

Silver	Frosted
--------	---------

2 x 24W
T5



T5 Fluorescent Downlighter

SEE OTHER PENDANT OPTIONS ELSEWHERE IN THIS CATALOGUE

Silver

KPW650 "BIBA"

125mm diameter
x 230mm high

60W
G9



70mm diameter
x 135mm high

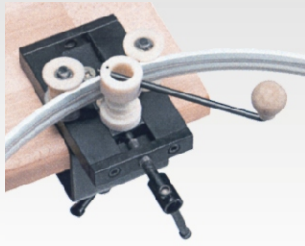
50W
GZ10

KPW525 "BARRO"

240V FLEXIBLE TRACK-ACCESSORIES



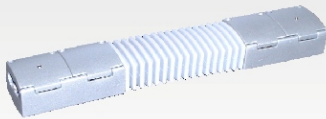
KBM - Bending Machine



Ceiling Connectors
 KC5 - 2.5m Cable Support
 KC4 - Telescopic 140-240mm
 KC1 - 100mm
 KC0 - 50mm



KCF - Flexible Joiner (Conductive)



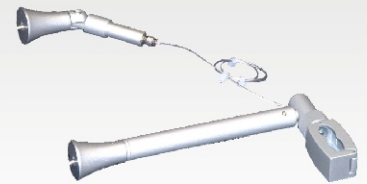
KCS - Straight Joiner (Conductive)
KCN - Straight Joiner (Non-Conductive (Insulated))



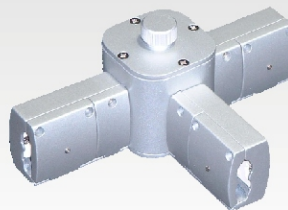
CHECK OUT THE PENDANT OPTIONS ELSEWHERE IN THIS CATALOGUE



KCW - Wall Bracket Telescopic 135-218mm



KCT - "T" Joiner



KPF - Power Feed



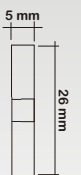
500mm flexible connector

KPC - Power Connector 100mm



Suitable for use with KC1 ceiling connector

Flexible Track
 KTR1 - 1m Track Straight
 KTR2 - 2m Track Straight



Track can be shaped on site using a track bending machine (KBM) or supplied to customer specifications

MAXIMUM 2400WATTS (10AMPS) PER CIRCUIT



KEC - End Caps

BuyLighting
 Sharecall (0860) LIGHTS
 email: sales@buylighting.co.za
 http://www.buylighting.co.za

